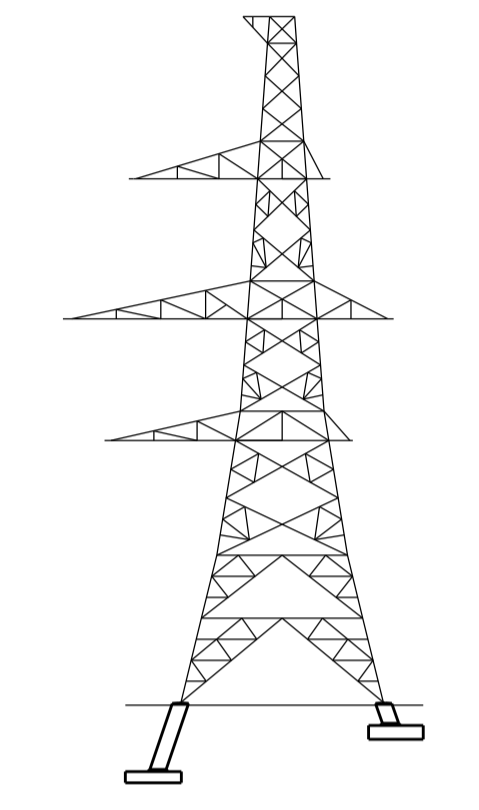
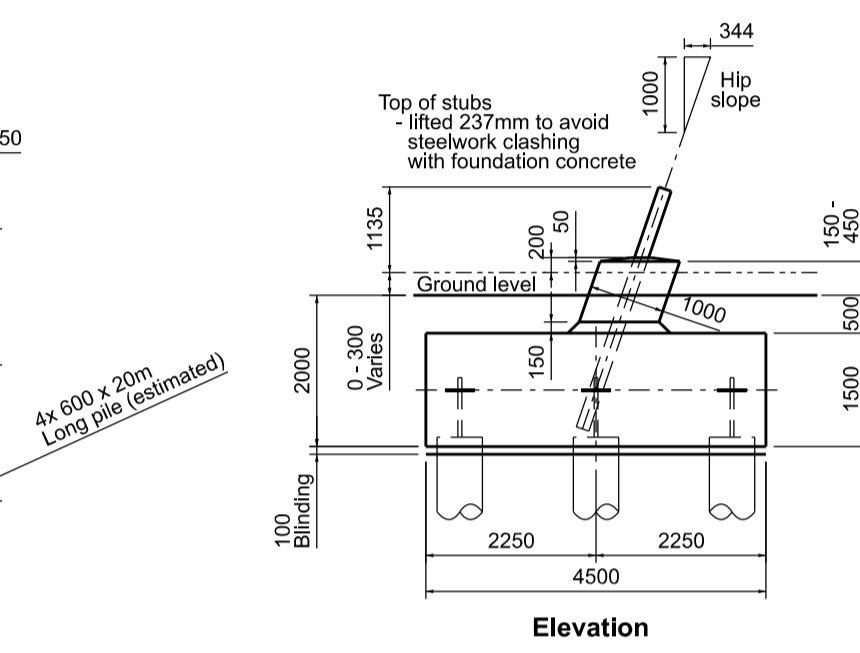
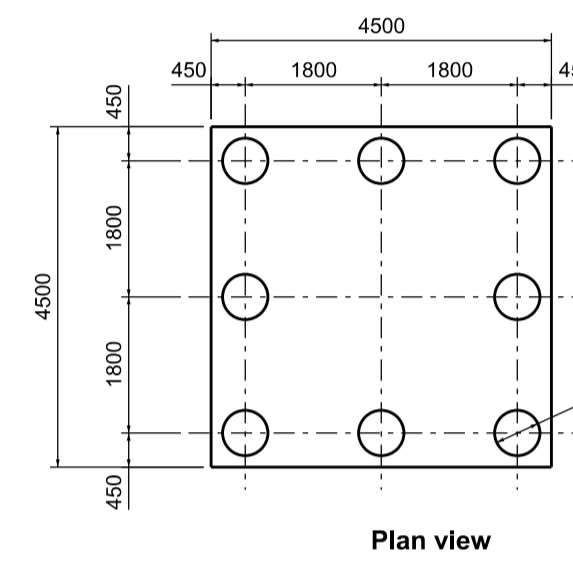
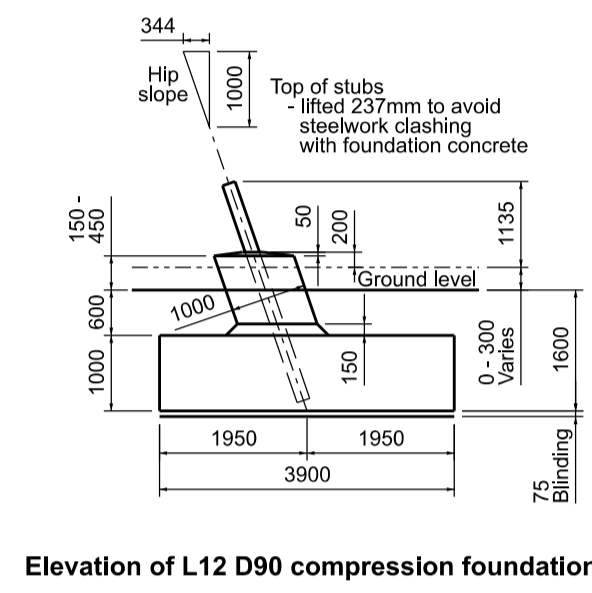
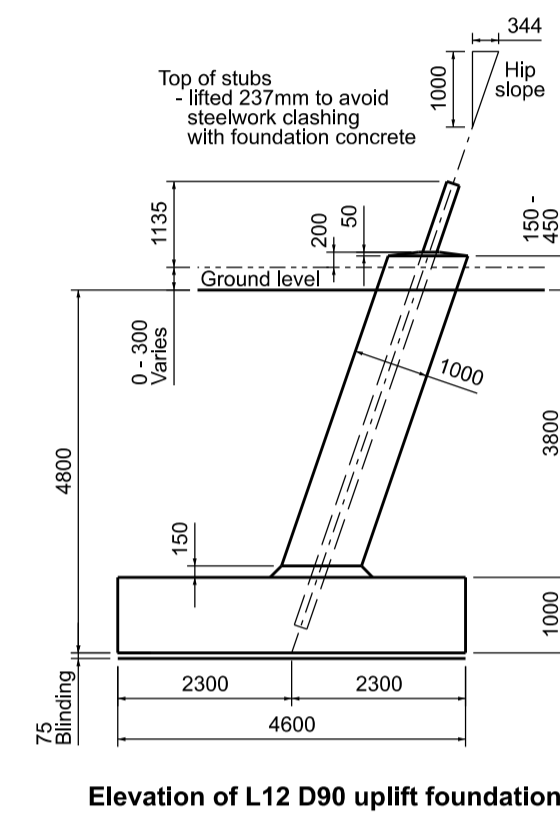
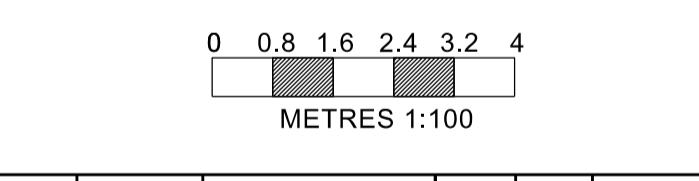
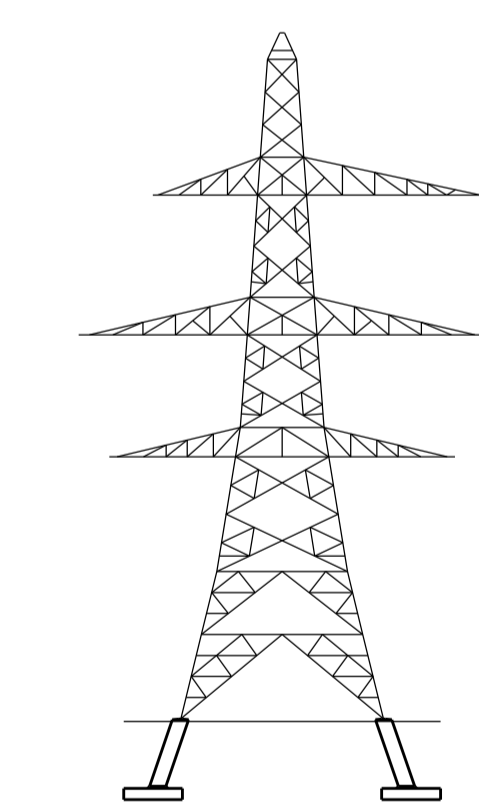
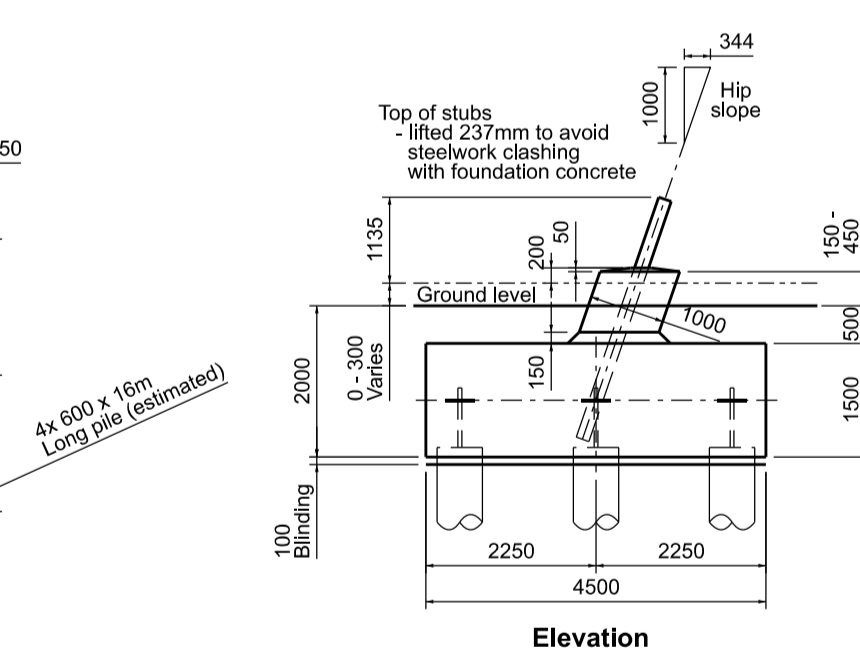
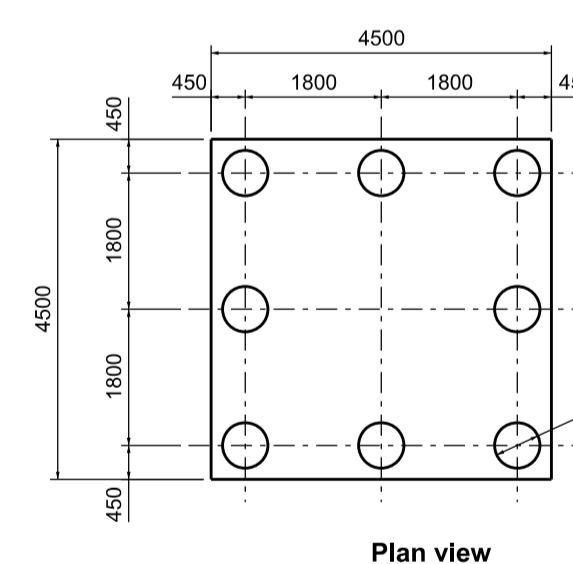
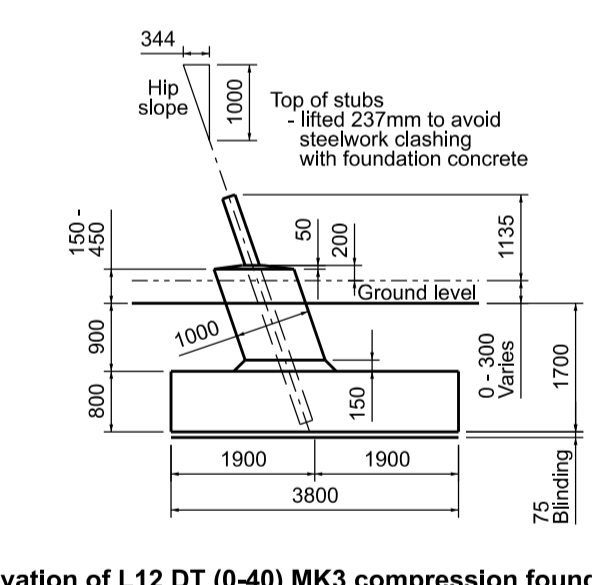
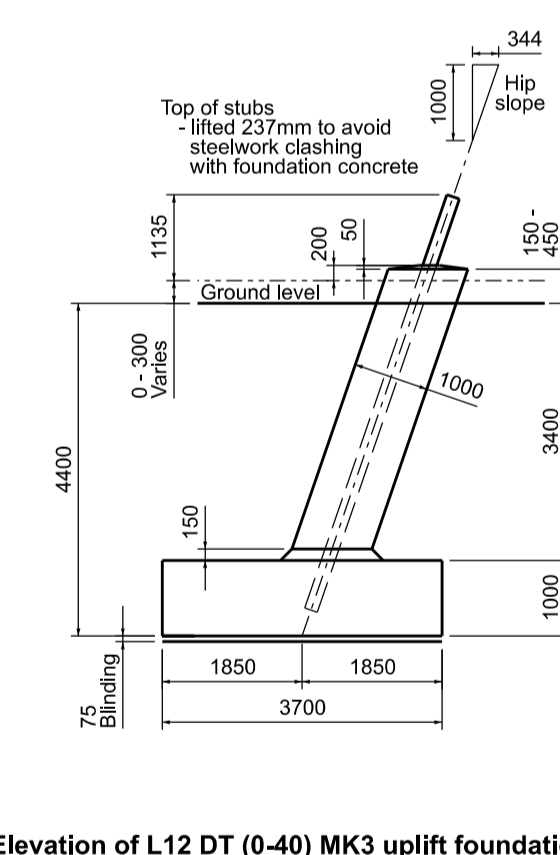


NATIONAL GRID
 NEW WESTON MARSH SUBSTATION A
 SECTION 37 4ZM APPLICATION
 ILLUSTRATIVE FOUNDATION DETAILS (PAD & COLUMN AND PILE CAP DESIGNS) TO SUIT L12 TYPE PYLONS
 SHEET 1 OF 1

LEGEND



- Notes
1. All dimensions are approximate and indicated in millimetres (mm) unless noted otherwise.
 2. This drawing is scaled at paper size A1, therefore any prints taken at smaller sizes will affect the accuracy of the measurement units and should not be scaled against.
 3. Foundation designs are illustrative to show outline dimensions only, and subject to final detail design.
 4. Pile dimensions are estimated and would be subject to ground conditions as determined by a geotechnical investigation.
 5. Pad and column type foundations are suitable for standard dry cohesive / granular ground as defined by National Grid Electricity Transmission Standards.



Issue	Date	Remarks	Drawn	Checked	Approved
A	APR-2026	FOR SUBMISSION	JDH	RF/GJ	BK

Title
 NATIONAL GRID
 NEW WESTON MARSH SUBSTATION A
 SECTION 37 4ZM APPLICATION
 ILLUSTRATIVE FOUNDATION DETAILS
 (PAD & COLUMN AND PILE CAP DESIGNS)
 TO SUIT L12 TYPE PYLONS
 SHEET 1 OF 1

nationalgrid

National Grid Drawing Reference
 GWNC-LST-4ZM-ZZZZZ-DRW-EN-000003

Scale	Sheet Size	Sheet	Issue
1:100	A1	SHEET 1 OF 1	A