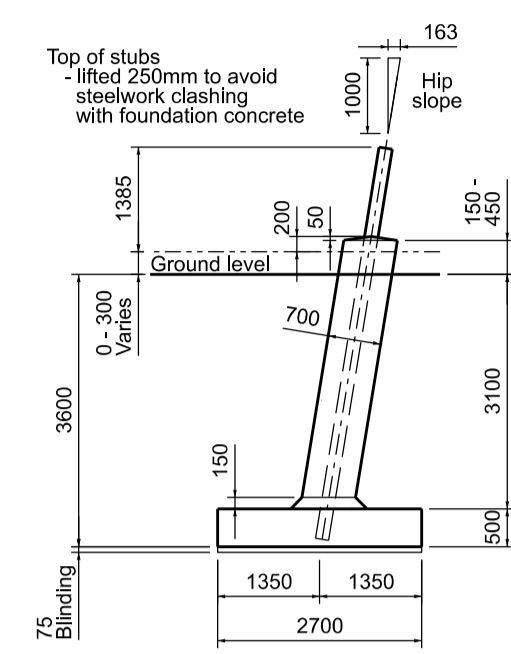
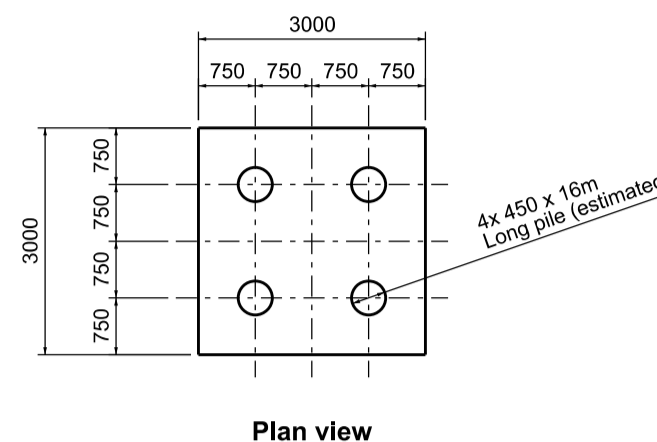


NATIONAL GRID  
NEW WESTON MARSH SUBSTATION A  
SECTION 37 2WS APPLICATION  
ILLUSTRATIVE FOUNDATION DETAILS (PAD & COLUMN AND PILE CAP DESIGNS) TO SUIT L12 TYPE PYLONS  
SHEET 1 OF 1

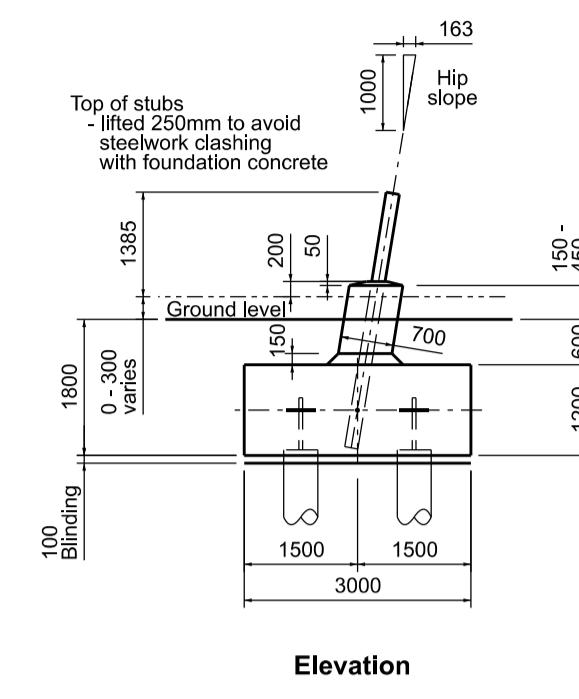
**LEGEND**



Elevation of L12 D compression / uplift foundation

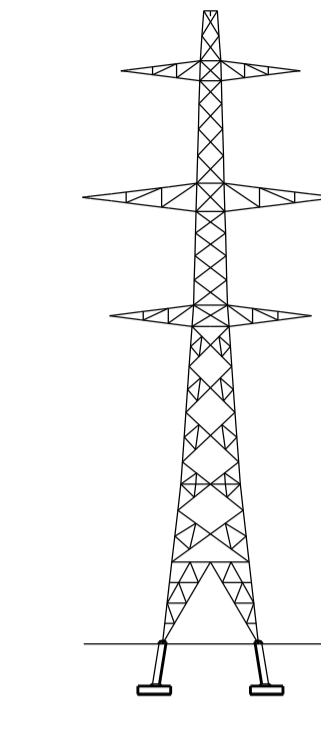


Plan view

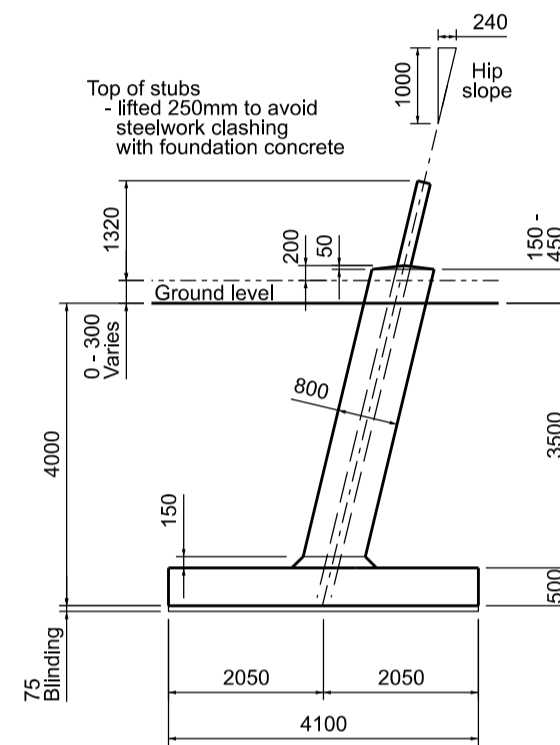


Elevation

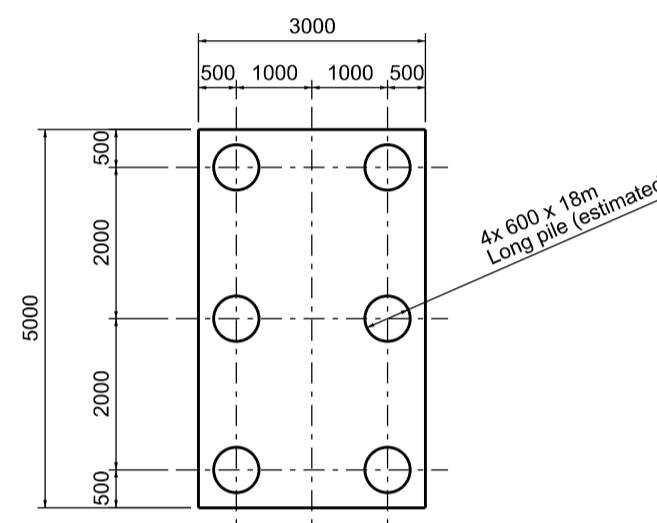
L12 D pile cap foundation



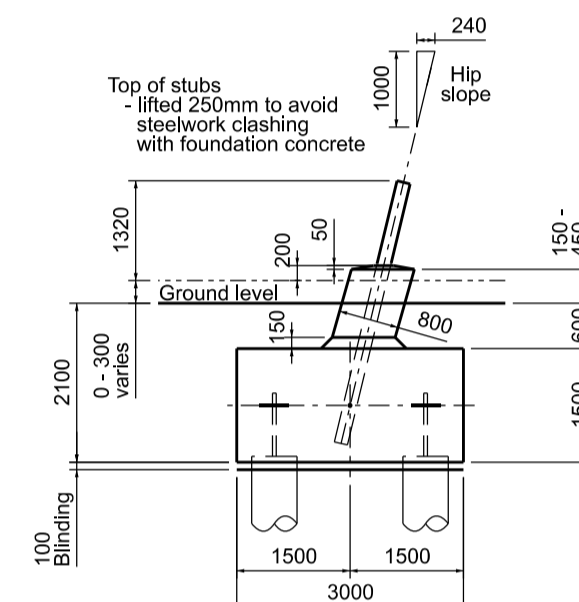
Key Diagram showing illustrative L12 D foundations (N.T.S)



Elevation of L12 D25 compression / uplift foundation

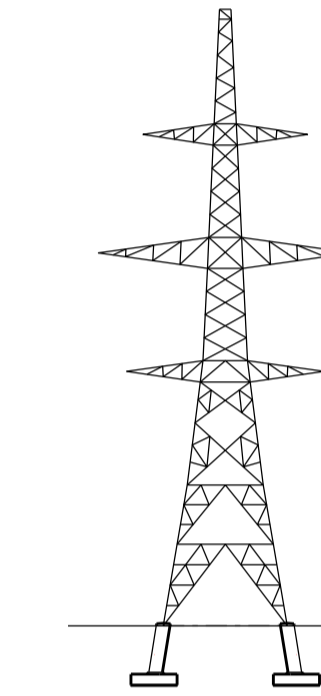


Plan view

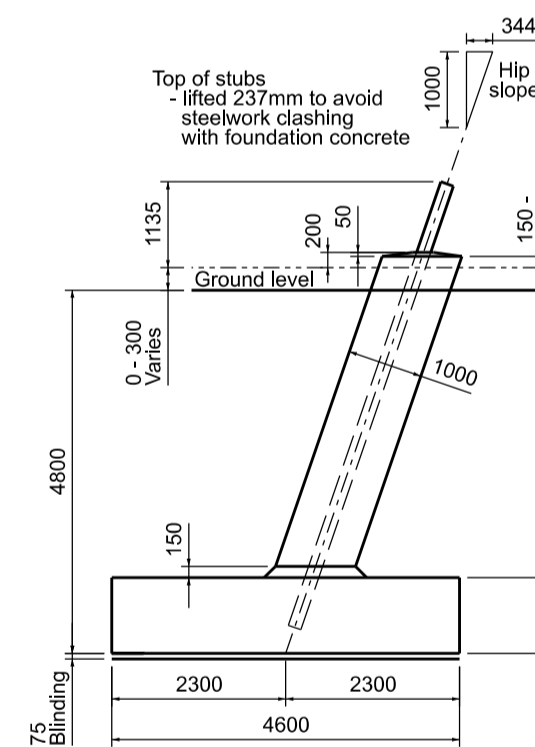


Elevation

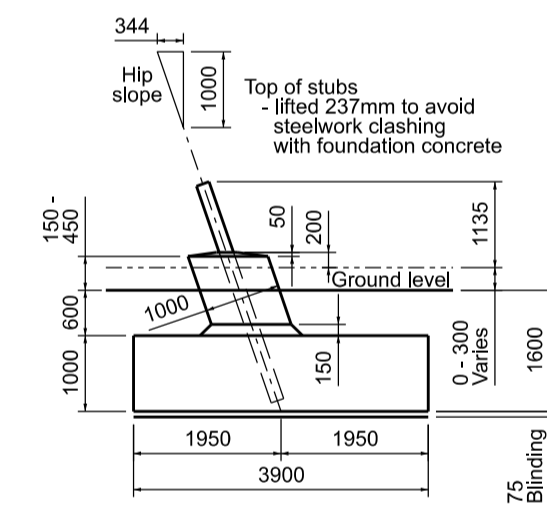
L12 D25 pile cap foundation



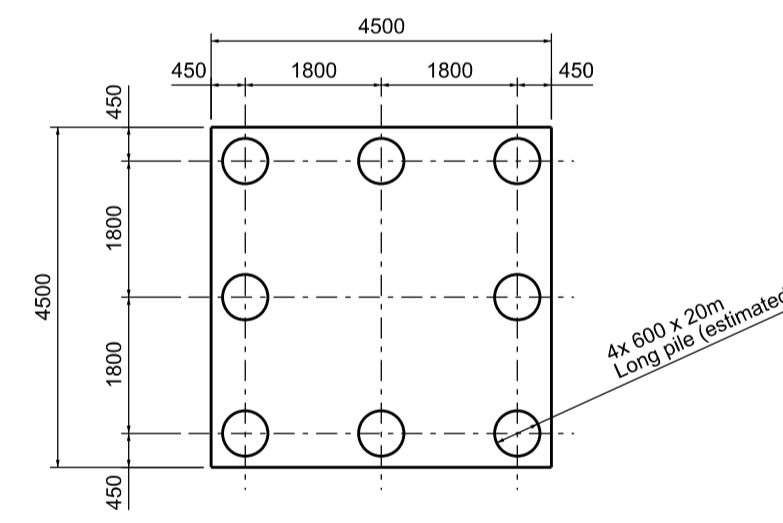
Key Diagram showing illustrative L12 D55 foundations (N.T.S)



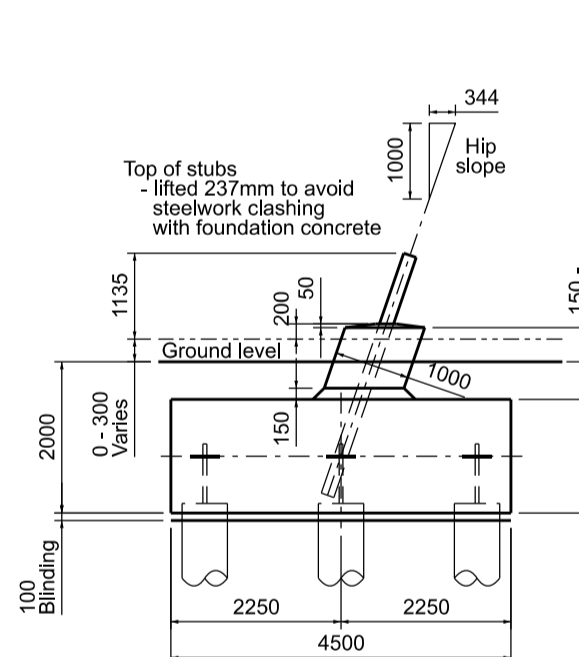
Elevation of L12 D90 uplift foundation



Elevation of L12 D90 compression foundation

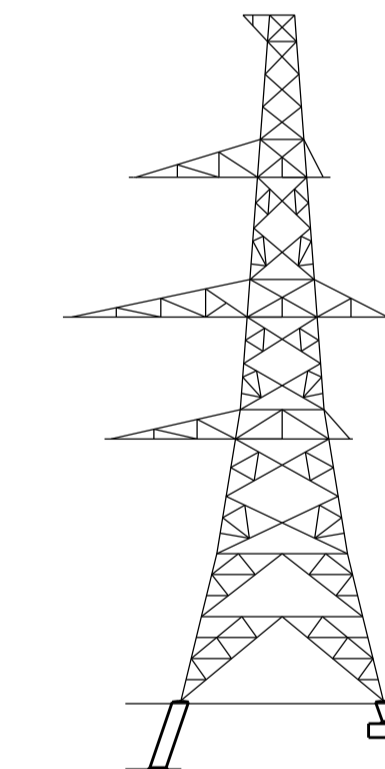


Plan view

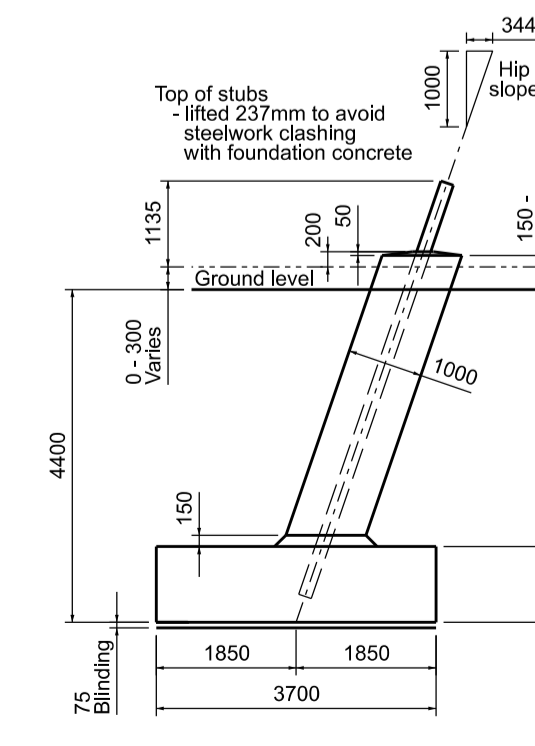


Elevation

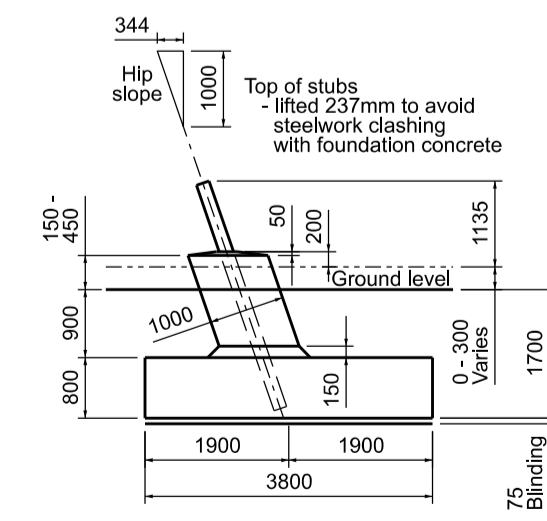
L12 D90 pile cap foundation



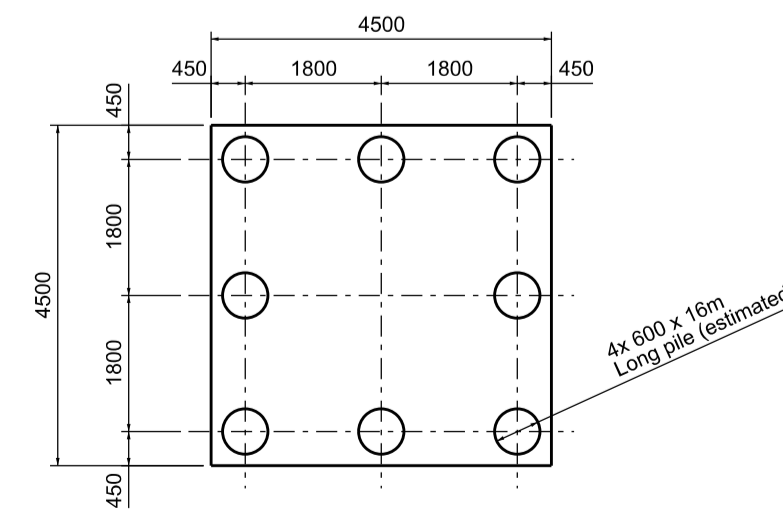
Key Diagram showing illustrative L12 D90 foundations (N.T.S)



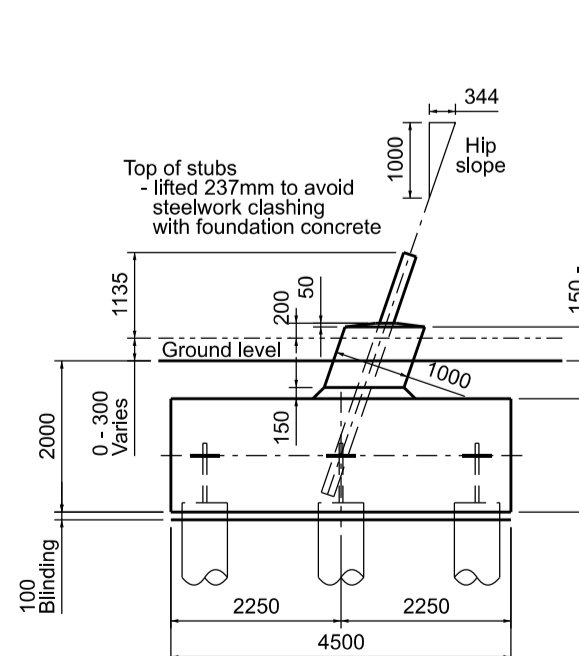
Elevation of L12 DT (0-40) MK3 uplift foundation



Elevation of L12 DT (0-40) MK3 compression foundation

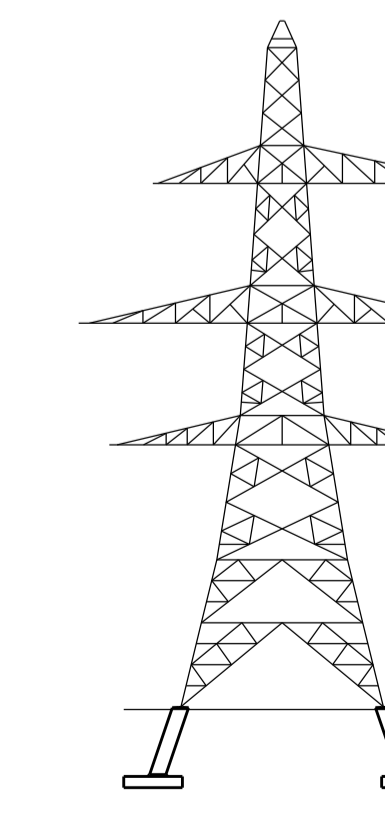


Plan view



Elevation

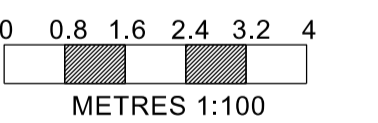
L12 DT (0-40) MK3 pile cap foundation



Key diagram showing illustrative L12 DT foundations (N.T.S)

**Notes**

- All dimensions are approximate and indicated in millimetres (mm) unless noted otherwise.
- This drawing is scaled at paper size A1, therefore any prints taken at smaller sizes will affect the accuracy of the measurement units and should not be scaled against.
- Foundation designs are illustrative to show outline dimensions only, and subject to final detail design.
- Pile dimensions are estimated and would be subject to ground conditions as determined by a geotechnical investigation.
- Pad and column type foundations are suitable for standard dry cohesive / granular ground as defined by National Grid Electricity Transmission Standards.



|       |          |                |       |         |          |
|-------|----------|----------------|-------|---------|----------|
|       |          |                |       |         |          |
|       |          |                |       |         |          |
|       |          |                |       |         |          |
|       |          |                |       |         |          |
| A     | APR-2026 | FOR SUBMISSION | JDH   | RF/IGJ  | BK       |
| Issue | Date     | Remarks        | Drawn | Checked | Approved |

Title  
NATIONAL GRID  
NEW WESTON MARSH SUBSTATION A  
SECTION 37 2WS APPLICATION  
ILLUSTRATIVE FOUNDATION DETAILS  
(PAD & COLUMN AND PILE CAP DESIGNS)  
TO SUIT L12 TYPE PYLONS  
SHEET 1 OF 1

**nationalgrid**

National Grid Drawing Reference  
GWNC-LST-2WS-ZZZZZZ-DRW-EN-000016

|       |            |              |       |
|-------|------------|--------------|-------|
| Scale | Sheet Size | Sheet        | Issue |
| 1:100 | A1         | SHEET 1 OF 1 | A     |