

INTERCONNEXION FRANCE-ANGLETERRE (England-France Interconnector) Capacity Auction System – Minimum Technical Requirements

Users who wish to participate in the daily auctions for capacity on the England-France Interconnector will do so via a screen based Capacity Auction System. Connection can be made either directly to the system or via the RTE Operational System.

The minimum hardware, software and various communication methods that will enable Users to connect directly to the Capacity Auction System are summarised below:

Hardware – Minimum Requirements

- Pentium 200
- 64 Mb RAM 20Mb Hard Drive space free
- Appropriate Modem / ISDN / Network Connection
- VGA Monitor

Software – Minimum Requirements

- Windows 95/98 or Windows NT4
- Permanent Windows swap file, minimum of 40Mb allocated
- Internet Explorer 5.0 or Netscape Navigator 4.7
- Oracle J-Initiator installed

Communication methods

There are four alternative communication methods as follows:

- Modem connection
- ISDN connection
- Frame Relay connection
- Point to Point connection

An overview of each option and indicative costs for connection to the Auction System is provided below:

OPTION 1 - Modem Connection

It is envisaged that this option will fulfil the needs of Users who are only periodically active on the Auction.

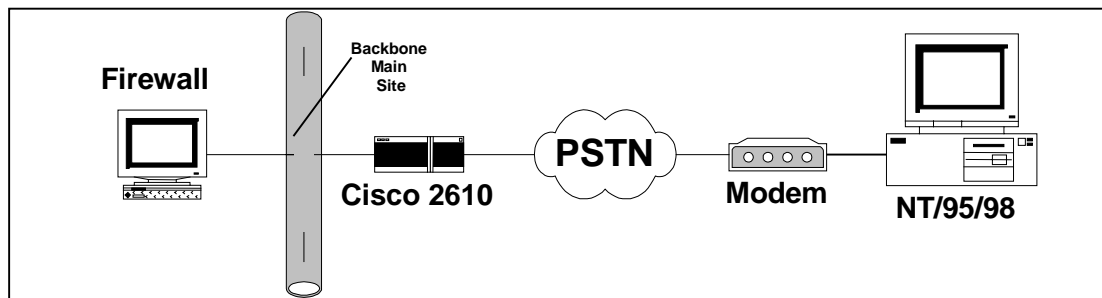
A 32 bit NT/95/98 PC will connect to the Auction System via a standard PSTN line interfaced by a 56k modem attached to the PC.

Hardware – indicative costs

Modem (3 Com Sportster 56K)

£ 100

The hardware solution is shown below:



OPTION 2 – ISDN Connection

It is envisaged that this option will fulfil the needs of Users who require greater level of access in terms of speed and the number of concurrent users compared to Option 1.

A network of 32 bit NT/95/98 PCs will be attached to the Auction System via an ISDN connection.

Hardware – indicative costs

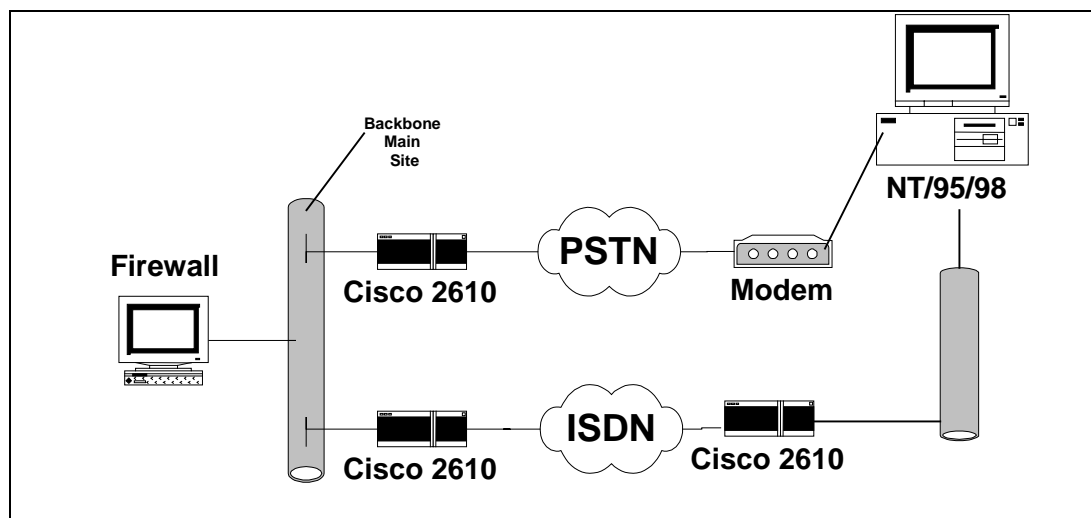
Router (Cisco 2610)	£ 2,000
Network ISDN Connection	£ 200

Annual Maintenance & Rental – indicative costs

Hardware Maintenance	£ 400
ISDN Line Rental	£ 400

Indicative First Year Total Cost **£ 3,000**

The hardware solution is illustrated below. This illustration also incorporates Option 1 as a back up solution.



OPTION 3 – Frame Relay Connection

It is envisaged that this option will fulfil the needs of Users who require a greater level of connection resilience compared to Options 1 and 2.

A number of NT/95/98 compatible PCs will connect to a 64Kb Frame Relay leased-line via a single Cisco router. The leased-line network will interface with the Auction System via a 1Mb leased-line.

Hardware – indicative costs

Router (Cisco 2610)	£ 2,000
Network ISDN Connection	£ 200
Network Frame Relay Connection	£ 1,500

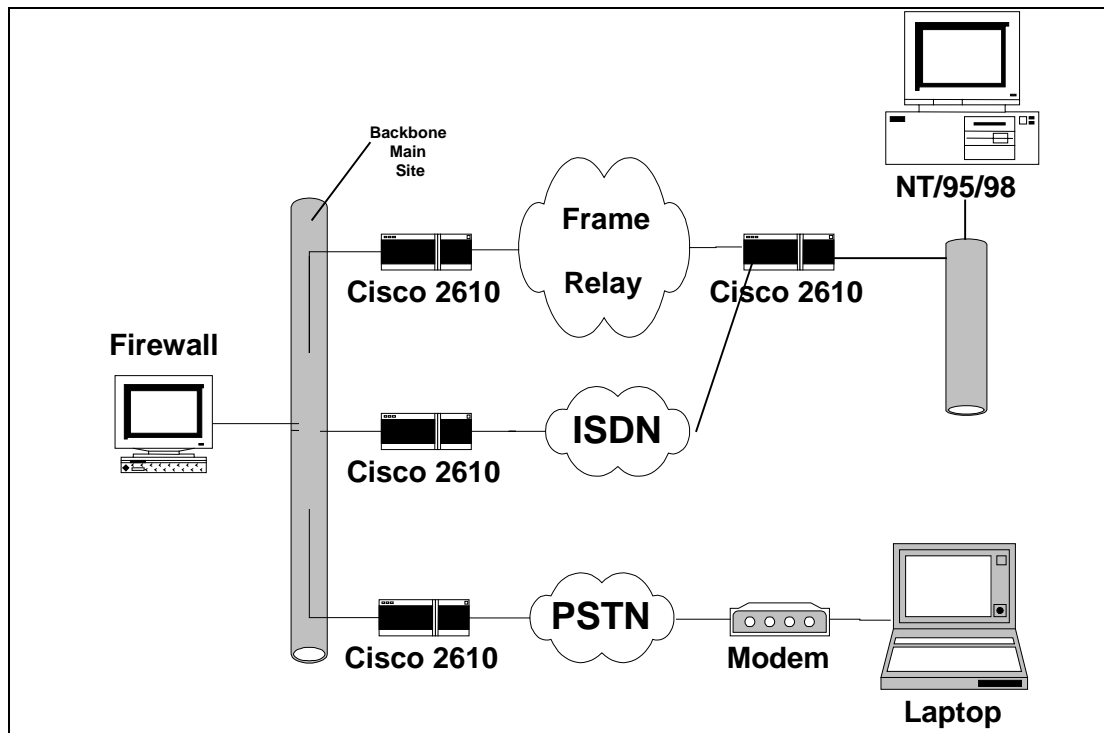
Annual Maintenance & Rental – indicative costs

Hardware Maintenance	£ 400
ISDN Line Rental	£ 400
Frame Relay Maintenance	£ 6,000

Indicative First Year Total Cost

£ 10,500

The hardware solution is illustrated below. This illustration also incorporates Options 1 & 2 as back up solutions.



OPTION 4 – Point to Point Connection

Point to Point Connection can be tailored to match Users' needs and is an alternative to Option 3 providing Users with the same level of connection resilience as Frame Relay.

Hardware – indicative costs

Router (Cisco 2610)	£ 2,000
Network ISDN Connection	£ 200
Network Point to point connection	Distance dependant

Annual Maintenance & Rental – indicative costs

Hardware Maintenance	£ 400
ISDN Line Rental	£400
Point to point circuit maintenance	Distance dependant

Indicative First Year Total Cost **Distance dependant**

General Notes

- Users are responsible for procuring the communication method most suited to their business requirements.
- All indicative costs are exclusive of configuration, installation, manpower charges and appropriate taxes.
- ISDN and Point to point connection assumes a one-year contract.
- Frame Relay assumes a three-year contract.
- This information is provided in good faith and Users should seek their own advice on the appropriateness of any connection method and associated costs.